

Figure 1: Hinge Placement & Clearance Template

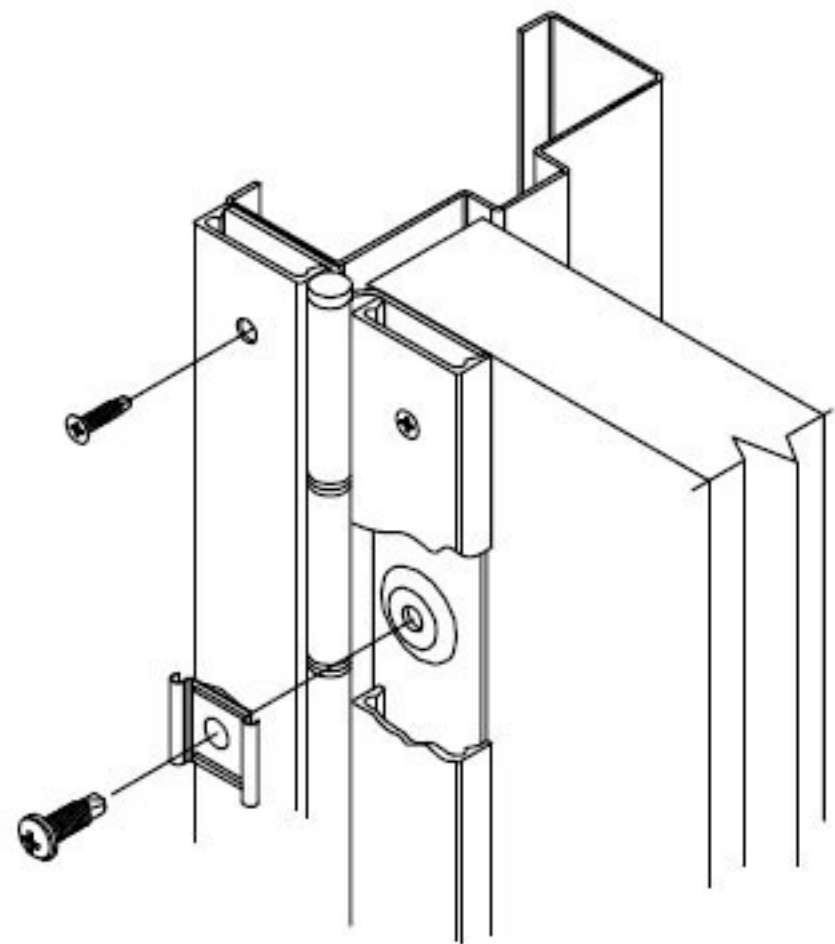


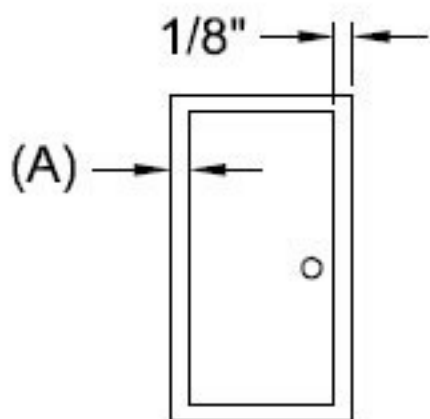
Figure 2: Installation (Exploded View)

## Model LS302

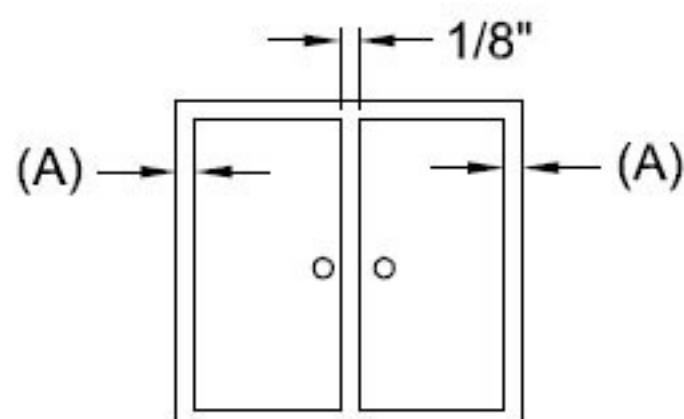
Standard " Non-Adjustable " application clearances

### Total Under-Sizing Required

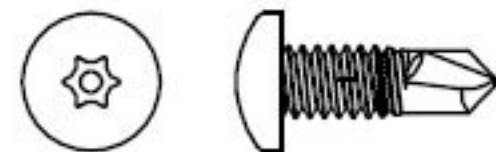
Clearance (A)	Single Door	Pair of Doors
1/8"	5/16"	7/16"



+ 1/16" Frame Irregularity



+ 1/16" Frame Irregularity



MP-62 ( Zinc Plate )  
1/4 - 20 x 3/4" TORX PAN  
HEAD SELF-DRILLING TEK SCREW

Up to 112": 32

Over 112": 48



MP-8 ( Zinc Plate )  
#8 x 3/4" PHILLIPS FLAT HEAD  
SELF-DRILLING SCREW

Up to 112": 4

Over 112": 6



MP-606 ( Zinc Plate )  
COVER CLIP

Up to 112": 12

Over 112": 18

### Universal Screw Pack