

HINGE MODIFICATION TEMPLATE A-

QTY.: _____

(FOR LENGTH AND ELECTRICAL CUTOUT)



— AVOID ERRORS BY BEING CAREFUL NOW
PLEASE COMPLETE STEPS 1 TO 4

STEP 1: SELECT BASE HINGE: LARSEN PRODUCT # IF KNOWN: _____

OR TYPE: EDGE MOUNT SINGLE GUARD DOUBLE GUARD SWING CLEAR

LENGTH: 79.16 83.118 83.771 85.097 94.992 118.74

STEP 2: HANDING OF DOORS:

(ALWAYS VIEWED FROM THE OUTSIDE)



STEP 3: FINAL HINGE LENGTH: SAME AS BASE HINGE OR SPECIFY DIMENSION Z: _____

STEP 4: ELECTRICAL CUTOUT DIMENSIONS:

NO CUTOUT REQUIRED

OR CUTOUT REQUIRED:

MFG. NAME: _____ MODEL #: _____ DIMENSION A: _____

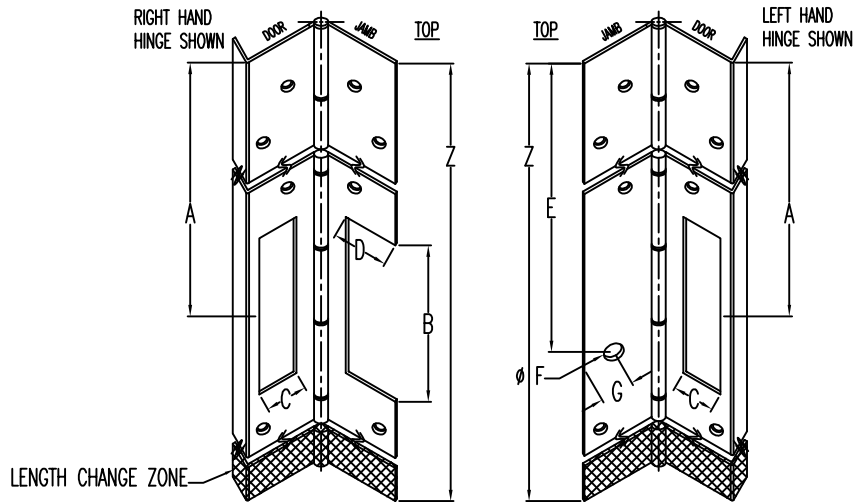
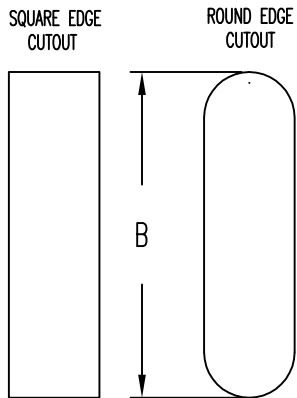
OR CUSTOM SELECT CUTOUT SHAPE: SQUARE EDGE

OR ROUND EDGE

CUTOUT: A - TOP OF HINGE TO CENTRELINE OF CUTOUT: (SEE STANDARDS)
B - LENGTH OF CUTOUT: _____
C - WIDTH OF CUTOUT: _____
D - EDGE OF LEAF TO CUTOUT: _____
HOLE: E - TOP OF HINGE TO CENTRELINE OF HOLE: _____
F - HOLE DIAMETER: _____
G - EDGE OF LEAF TO CENTRELINE OF HOLE: _____

DOOR LEAF	JAMB LEAF

(STANDARDS FOR DIM. A)	
79.16 HINGE:	39 3/8
83.125 HINGE:	41 9/16
83.771 HINGE:	41 7/8
85.097 HINGE:	42 9/16
94.992 HINGE:	47 1/2
118.74 HINGE:	47 1/2



I APPROVE THE DESIGN AND DIMENSIONS AS SHOWN ON THIS TEMPLATE, AND I AUTHORIZE FABRICATION OF THESE PARTS.

FULL NAME: _____ SIGNED BY: _____ P.O. #: _____
 COMPANY NAME: _____ DATE: _____ S.O. #: _____
 PHONE #: _____ EXT.: _____